

SeeEyes® Series

[SC-IPC05P SC-IPR0804P/08P]

Network + Power(PoE)



1/4/8 channel Network Data with PoE transmission devices are composed of SC-IPT05P(Transmitter), SC-IPR05P and SC-IPR0804P/08PH(Receiver). Using these devices with power supply function, you can transmit the network data and power to the transmitter and the camera over 1 UTP cable. Also, this is a cost-saving system for re-using the existing coaxial cable when installing new IP camera.

Features

- Network data + Power over Coax transmission
- Transmission bandwidth (TCP Rate)
 - Up link(to camera): 3Mbps
 - Down link(from camera): 36Mbps
- Transmission distance : Max. 350m (RG-59/U)
 - Max. 500m (RG-6/U)
- Supporting Auto MDI/MDIX
- Supplying power to camera and transmitter using PoE HUB/ PoE Injector or adaptor.(SC-IPR05P)
- Surge Protection Function



[SC-IPT05P]

[SC-IPR05P]



[SC-IPR0804P]



[SC-IPR0808P]

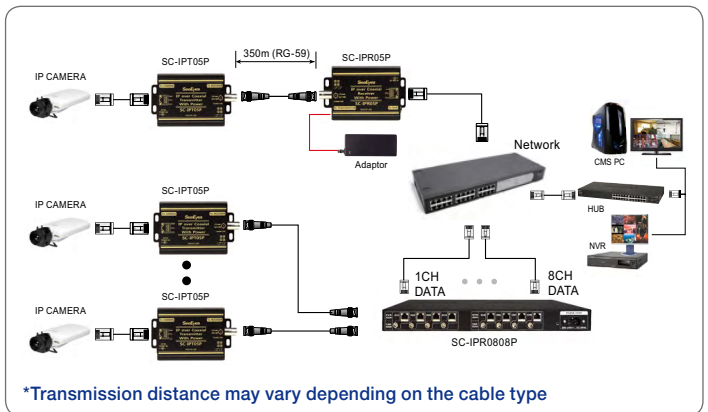


Specifications

MODEL	SC-IPT05P
Trans.Bandwidth (MAX)	TCP Rate : 36Mbps(Downlink),3Mbps(Uplink)
Data Trans. Method	FULL Duplex
Power Consumption	2W MAX
Power Out	Non standard PoE (Always on)
	MAX. 12W (SC-IPR05P)
	MAX. 8W (SC-IPR0804P/0808P)
Max. Distance	350m over RG-59/U
Temperature / Humidity	-10°C ~ +50°C / 0 ~ 80%
Case body / Weight	Aluminium / 300g
Dimensions(mm)	97(W) X 60(H) X 25(D)

MODEL	SC-IPR05P (Rx.)	SC-IPR0804P (4CH Rx.)	SC-IPR0808P (8CH Rx.)
Trans.Bandwidth(MAX)	TCP Rate : 36Mbps(Down link), 3Mbps(Uplink)		
Data Trans. Method	FULL Duplex		
Power Consumption	MAX. 2W	MAX. 9W	MAX. 18W
Input Power	DC 48V or PoE (IEEE 802.3af)	AC 85~264V	
Power Out	-	Max.10W / DC 48V (Each Channel)	
Max. Distance	350m over RG-59/U		
Temperature / Humidity	-10°C ~ +50°C / 0 ~ 80%		
Connection Port	RJ-45 X 1 BNC-F X 1	RJ-45 X 4 BNC-F X 4	RJ-45 X 8 BNC-F X 8
Case body / Weight	Steel / 300g	Steel / 3Kg	Steel / 4Kg
Dimensions(mm)	97(W) X 60(H) X 25(D)	310(W) X 44(H) X 190(D)	430(W) X 44(H) X 350(D)

Connection Diagram



Dimensions

